

HOW TO CORNER YOURSELF WITH GREAT SOUND

Introduction to Cornered A3

CORNEREDAUDIO



CONTENTS

Introduction

Welcome to Cornered speakers

Getting started

1. Connect the cables
2. Find the perfect spot
3. Mount the speakers
4. Operation

Daily use of your speakers

A powerful experience
Cleaning and maintenance
Disposing of electrical appliances

Notes for the professional installer

Installing the speaker

Specifications

Warranty & service

Declaration of conformity

CONGRATULATIONS!

You are up for a great looking and great sounding experience.

With the purchase of your Cornered speakers, you can enjoy two things in one: Unique design and excellent sound.

Cornered speakers feature a one-of-a-kind 90-degree triangular design that makes for a discreet and elegant installation anywhere in your home - in corners, on the wall, below the ceiling, on shelves and as a center and rear channel for surround sound.

But good looks aren't everything. Cornered speakers also offers excellent sound quality. In fact, Cornered speakers reproduce a natural three- dimensional sound stage that fills your room with sound – and strives at making listening to music one of your favorite activities.

To get the most out of your Cornered speakers – and make the installation process as easy as possible – please take a minute to study this manual.

Enjoy!

GETTING STARTED

A3 is an installable active speaker with Bluetooth 5.0. Follow 3 easy steps to install your new Cornered speaker and soon you'll be cornered by sound in a class of its own:

1. Connect the cable(s)

Note: Install the power cable and optional line cable before mounting the speakers to wall or ceiling! It is not possible to connect the power and line level cables once the speakers have been installed.

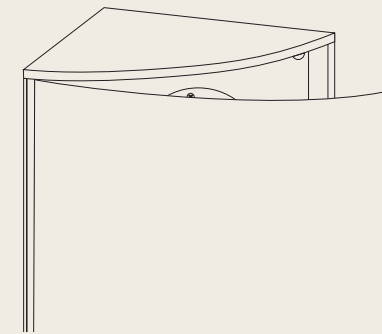
- Remove the front cover **(A)**
- Install the power cable into the power socket in the rear of the cabinet **(B)**

The A3 allows you to connect a wired source in addition to the Bluetooth connection. The speaker will automatically mix between the inputs, giving the wired connection priority. So if Bluetooth is connected and the wired connection (a TV or like) is active, Bluetooth will be muted. When the wired connection is turned off, BT will then resume playing. A wired source is connected as follows:

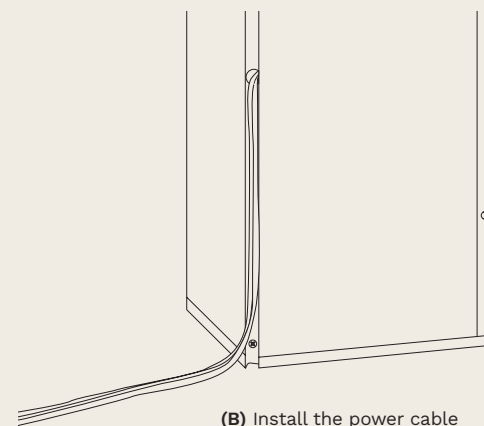
- Run the cable through the tube from the rear of the cabinet to the front
- Connect to the Phoenix plug with left, right and ground as shown in on the input terminal
- Connect the Phoenix plug to the Phoenix terminal on the right side of the input panel

A3 can power an additional C3 passive speaker:

- Connect plus (+) and minus (-) on your speaker cable to the Phoenix plug and connect the plug to the Phoenix socket to the left on the input panel **(C)**



(A) Remove the front cover



(B) Install the power cable



(C) Input panel

2. Find the perfect spot!

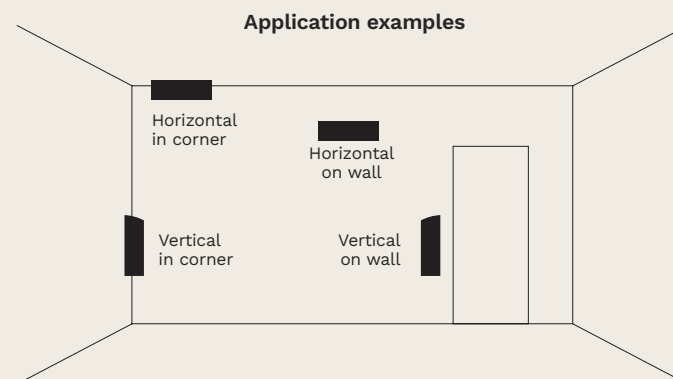
Cornered speakers will fit vertically in a corner or on the wall, horizontally on the ceiling, between the wall and the ceiling or on the wall, above or below your TV. If you don't feel like mounting the speakers to the wall, you also have the option of placing them like traditional speakers on a shelf or on top of a piece of furniture. As long as they are close to the wall, they will perform as specified.

Cornered speakers have a very wide dispersion of sound. To get the most out of the speakers, avoid placing objects such as furniture, lamps and plants directly in front of the speakers as this will have a negative influence on the tonal balance of the sound.

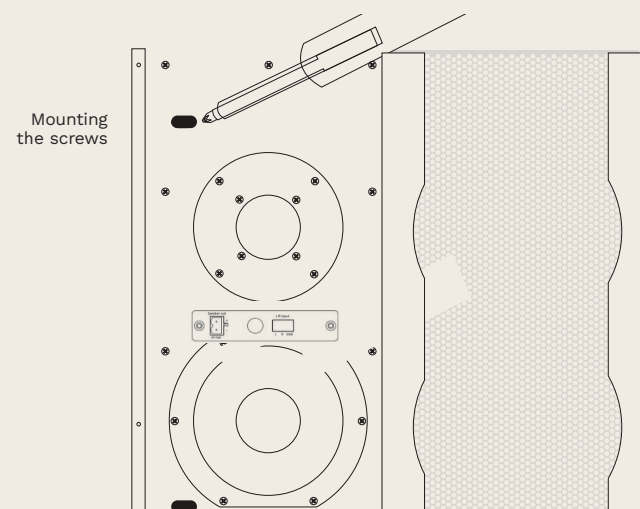
3. Mount the speakers

The A3 is installed by simply screwing the included screws through the cabinet

1. Remove the front cover (you'll see the two mounting holes in the left side of the front plate below the speaker units)
2. Place speakers in desired position
3. Mark drilling positions on the wall by shading through the mounting holes
4. Drill holes in the wall and use 4mm rawlplugs and the enclosed 3mm screws and washers.
5. Reposition the speakers in desired position, insert the washer in the mounting hole and mount the screws
6. Reinstall the front cover



Behind the front cover



4. Operation

Turn on the power by pushing the round switch in the top of the cabinet. A blue LED light will come on and a voice will confirm "Power on". Push again to power off.

Connect to Bluetooth (BT) by activating BT on your device, Search for "Cornered A3" and connect. A voice will confirm "Connected". The A3 will reproduce the BT signal in summed mono.

If you wish to send a BT signal from another device, disconnect (a voice will confirm "Disconnected") and connect from the other device. The Cornered A3 will automatically reset any BT connection when powered off.

Remember, if BT is connected and the wired connection (a TV or like) is active, BT will be muted. When the wired connection is turned off, BT will resume playing.

Important notes:

- The Line input will override BT when active
- The tube allows for cables with a maximum diameter of 10mm
- If running a speaker cable and line cable together, remove the outer insulation of the line cable on the part of the cable that runs through the speaker.
- When connecting a passive speaker use speaker cables with a wire thickness of min. 1,5 mm²
- If the red amplifier output is connected to the black speaker input (out of phase), the stereo imaging will be blurred, and the bass output will be dramatically reduced

Mounting in corners that are not exactly 90 degrees

Even if the corners in your home are not exactly 90 degrees, you can still mount your new Cornered speakers in the corner.

- If the corner is less than 90 degrees, simply place the speaker cabinet as deep in the corner as possible. This will leave a little space behind the cabinet and the walls, but the speakers will still appear with a nice finish in the corner
- If the corner is more than 90 degrees, just mount the speaker cabinet onto the side wall – and leave some air behind the rear of the cabinet. This will not be visible from the front, and the speakers will still present themselves with a nice finish in the corner.

DAILY USE OF YOUR SPEAKERS

Cleaning and maintenance

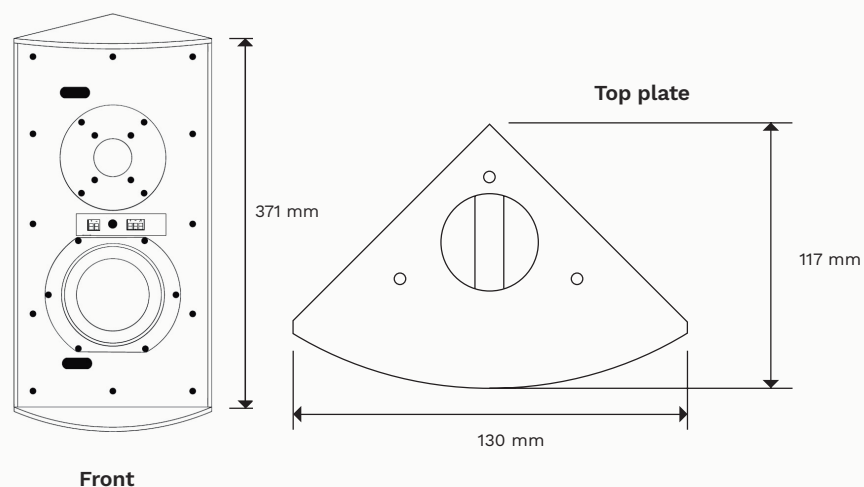
To keep up the good looks, clean the cabinet with a soft, drymicro-fiber cloth. The front cover can be vacuumed and wiped carefully with a well-wrung, lint-free cloth with a mild all-purpose cleaner. If you need to clean the speakers behind the front cover, avoid wiping the dome tweeter as it can change the geometry of the dome and reduce the sound quality significantly.

Disposing of electrical appliances

When eventually disposing of the product, do not mix it with general household waste. There is a separate collection system for used electronic products in accordance with legislation that requires proper treatment, recovery and recycling. Private households in the EU member states, Switzerland and Norway may return their used electronic products free of charge to designated collection facilities or to a retailer (if you purchase a similar new one).

For countries not mentioned above, please contact your local authorities for the correct method of disposal. By doing so, you will ensure that your disposed product undergoes the necessary treatment, recovery and recycling and thus prevent potential negative effects on the environment and human health.

SPECIFICATIONS



Woofers	4" long throw
Tweeter	1" silk dome with magnetic oil
Voltage	110-240V 50-60 Hz
Input sensitivity	500 mV RMS
Maximum SPL: Peak	105 dB
Frequency response	55 - 25 kHz
BT range	30 meters line of sight
Dispersion	120x120 degree
Connection	Phoenix & BT 5.0
Finish	White, black
Measurement	371 x 130 x 124 mm
Weight	2,7 kg
Power consumption	700mW - idle
Amplifier output	60 watt @ 8 ohm

Warranty & service

For warranty information, please refer to your local Cornered distributor or dealer. Spare parts for your Cornered speakers are available through your local Cornered distributor. In case you are not able to source spare parts locally, please contact us directly at info@cornered.dk

DECLARATION OF CONFORMITY

Manufacturer:
Cornered Audio ApS
Farum Gydevej 65 1. sal
3520 Farum
Denmark

We, Cornered Audio ApS, declare under our responsibility that the following product(s):

A3
Type: Speaker

...are in conformity with:
COUNCIL DIRECTIVE of 3 May 1989 on the approximation of the laws of the Member States relating to electromagnetic compatibility (89/336/EEC)

..and has been manufactured in conformity with the following national standards that implements a harmonized standard:

EN 55013

Limits and methods of measurement of radio disturbance characteristics of broadcast receivers and associated equipment.

Hans V. Madsen / Founder
01.01.2022



AESTHETIC SOUND

Contents of the manual are subject to change without notice.

Cornered Audio does not accept any liability for loss or damage caused or alleged to be caused directly or indirectly by these instructions. Cornered Audio makes no guarantee of any kind with regard to these instructions.

Copyright 2010 Cornered Audio ApS, Denmark.

CORNEREDAUDIO

www.cornered.dk // +45 4366 1088 [f](#) [@](#) [in](#)